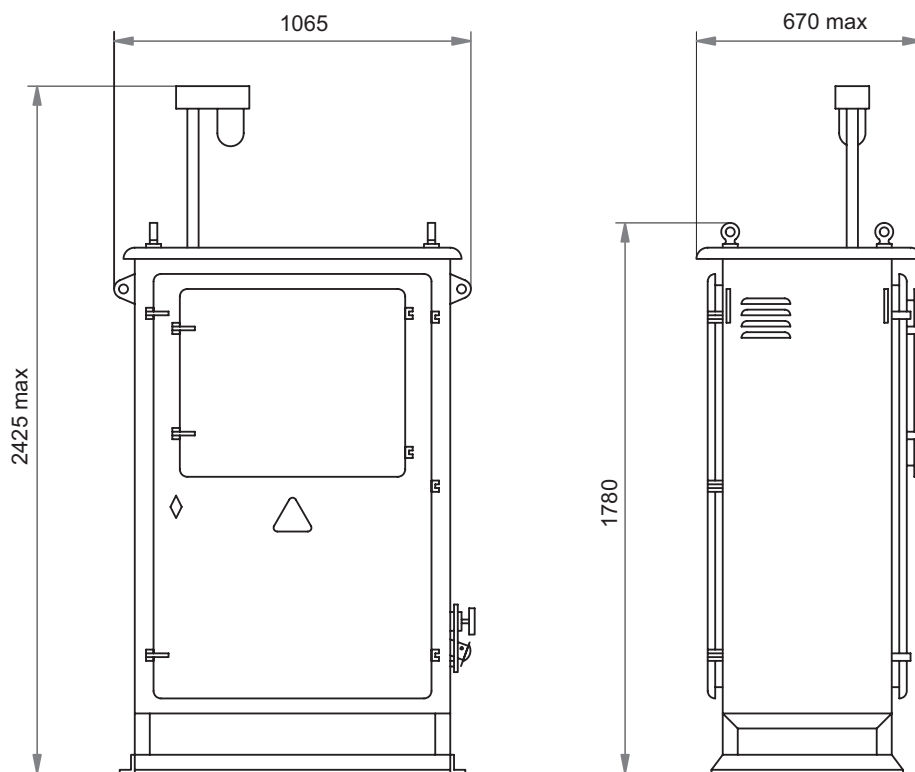


ASSEMBLED DEVICES OF IIIFC-5805 SERIES

IIIFC-5805 series assembled devices are designed to control and protect immersion electric pumps for oil production, equipped with motors of ПЭД series with a power from 14 to 100 kW, with rated current of 50 A maximum and rated voltage up to 2200 V a.c., under moderate climatic conditions (from -45°C to +40°C).

Parameter denomination	Parameter value
Rated current (primary) of power circuit, A	250
Rated voltage (primary) of power circuit, V	380
Rated current (secondary) of power circuit, A	50
Rated voltage (secondary) of power circuit, V	2200
Frequency of feeding network, Hz	50
Rated voltage of control circuits, V	380
Rated current of control circuits, A	6
Power consumption, VA	300

Overall, mounting dimensions and mass



Mass 300 kg