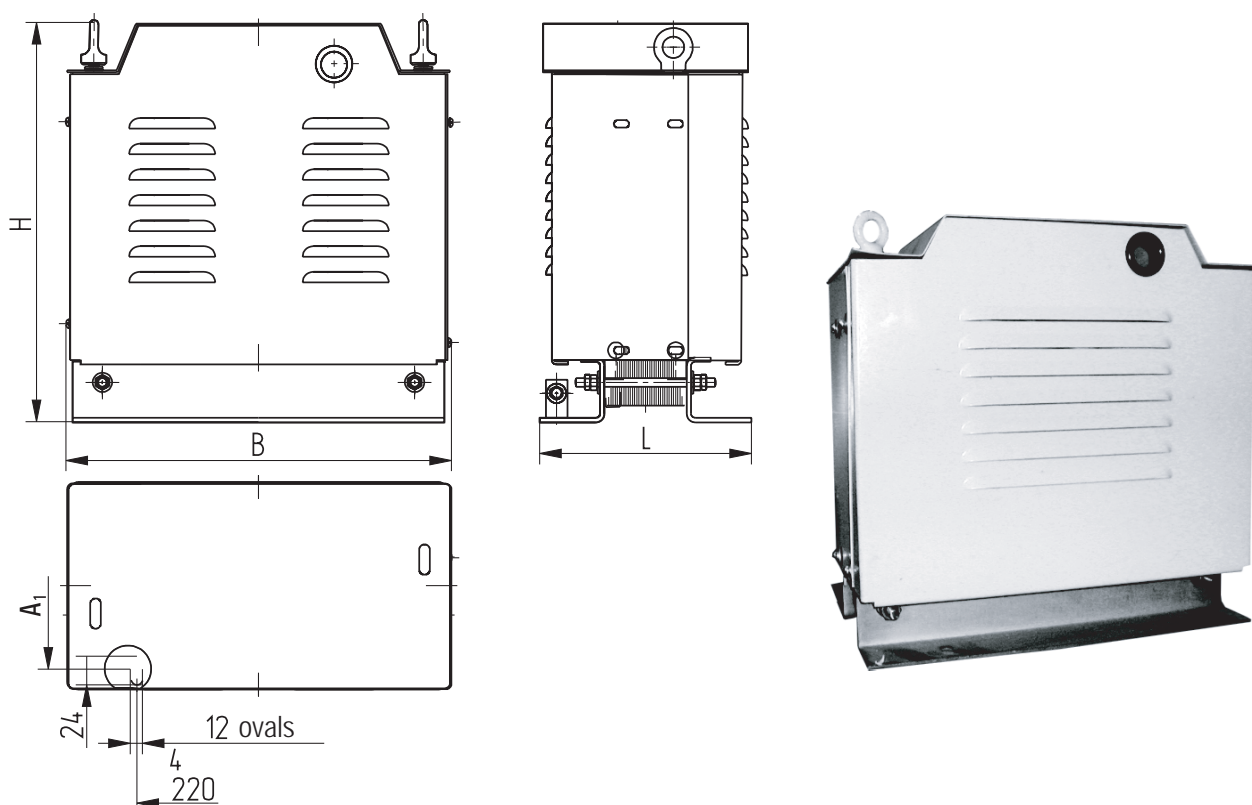


TC3 SERIES TRANSFORMERS

TC3 series transformers (three-phase, dry-type, with natural air cooling, of protected version) rating 6.3 and 10 kV·A, of 0.66 kV voltage class, are intended to supply three-phase reduced voltage of 50 Hz industrial frequency for various demands.

Winding connection/vector group – Yn/Yn-0.

Climatic version – for moderate climatic conditions.



Transformer type	Short-circuit voltage at 75°C, %	No-load current, %	Losses, W		Overall dimensions, mm				Mass, kg
					L	B	H	A ₁	
TC3 -6.3	2.0	12	70	130	200	355	380	152	64
TC3 -10	1.6	9	85	160	230	380	400	181	92