

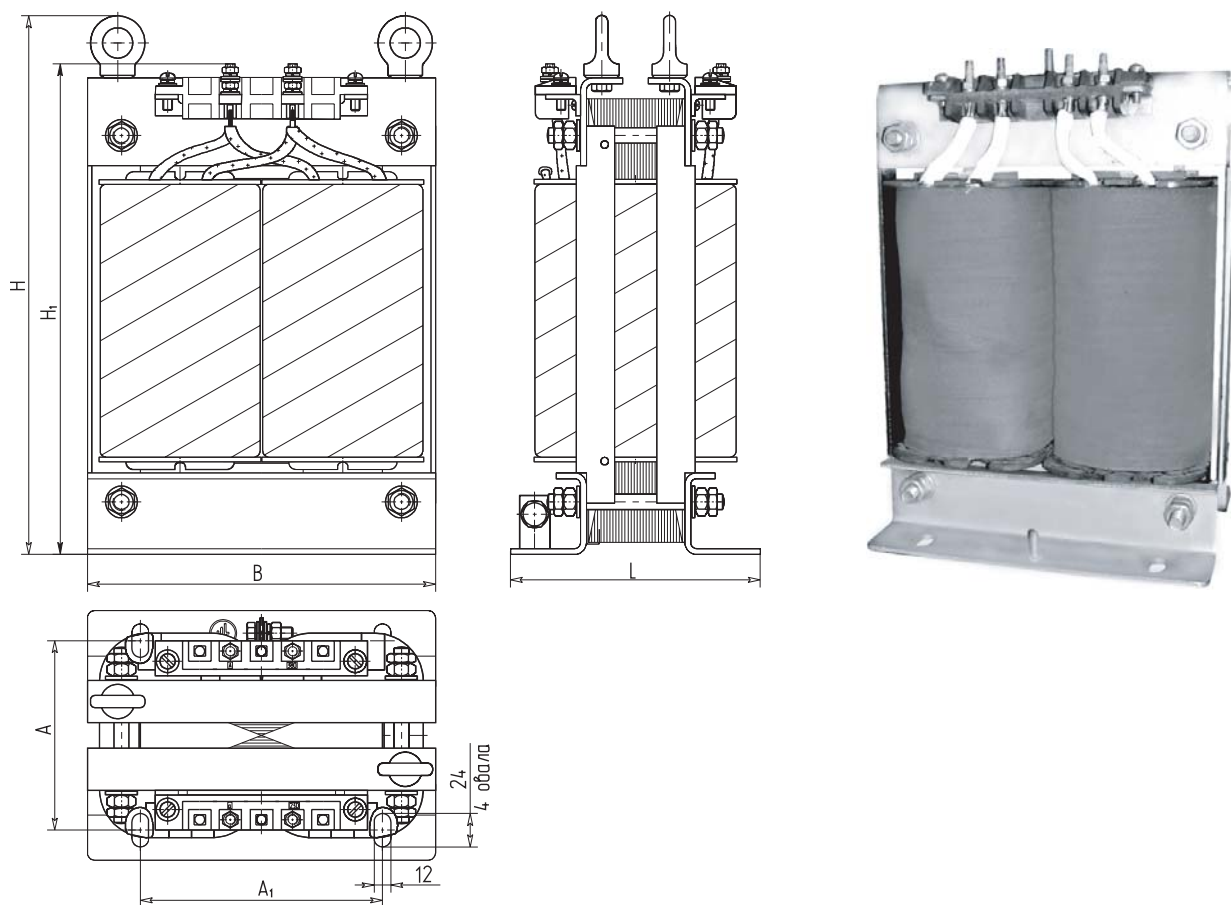
OC SERIES TRANSFORMERS

rating 6.3 and 10 kV·A

OC series transformers (single-phase, dry-type, with natural air cooling, of open construction), rating 6.3 and 10 kV·A, of 0.66 kV voltage class, are intended to supply reduced voltage of 50 Hz industrial frequency for various demands.

Winding connection/vector group – 1/1-0

Transformers are designed for moderate climatic conditions.



Transformer type	Short-circuit voltage at 75°C, %	No-load current, %	Overall, mounting dimensions, mm						Mass, kg
			L	B	H	H ₁	A	A ₁	
OC-6.3/0.66	2.2	9	210	235	365	335	164	160	51
OC-10/0.66	1.9	6	195	325	410	395	146	214	73