

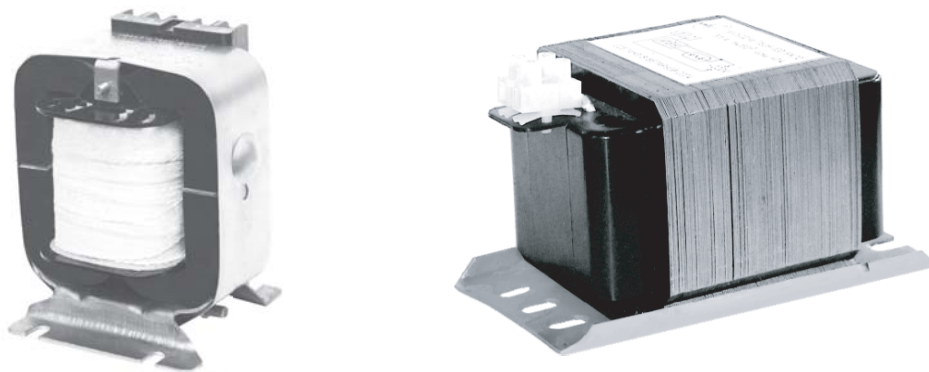
## STARTING-REGULATING DEVICES FOR HIGH-PRESSURE DISCHARGE LAMPS

**Starting-regulating devices are intended for current limiting and regulation in mercury-type arc lamps rating 125, 250, 400, 700 W and in sodium-type arc lamps rating 70, 100, 150, 250, 400 W, and are connected to 220 V/50 Hz a.c. networks.**

Devices are designed to be incorporated, in any desirable position, into a body of an exterior lighting luminaire.

Devices of 50 series employ a strip-wound magnetic core and those of 60 series a laminated core, shell-type. Coils are bobbin-type, made of copper wire with heat-resistant insulation. Assembled devices are impregnated with insulating varnish in a vacuum impregnator.

As to a Customer's request 50 series devices terminal clamps may be manufactured of IP20 protection degree (with removable covers).



Device type	Winding maximum temperature, °C	Device rated voltage in operation, V	Current consumption rating, A	Short-circuit current, max, A	Power loss, max, W	Overall power factor, min
1И70ДНаТ50Н-120	130	183	1.00	2.0	15	0.40
1И100ДНаТ50Н-120		175	1.20	2.4		
1И150ДНаТ50Н-120			1.80	3.6	18	
1И250ДНаТ50Н-120		187	3.10	6.2	28	
1И400ДНаТ50Н-120		178	4.60	9.2	35	
1И125ДРЛ50Н-120		154	1.15	2.3	12	
1И250ДРЛ50Н-120		153	2.15	4.3	18	0.55
1И400ДРЛ50Н-120		146	3.25	6.5	26	
1И700ДРЛ50Н-120		144	5.45	10.9	40	0.53
1И150ДНаТ60Н-120		175	1.80	2.8	18	0.40
1И250ДНаТ60Н-120		187	3.10	4.6	28	
1И250ДРЛ60Н-120		153	2.15	3.85	18	0.55

## CONNECTION DIAGRAMS

For sodium-vapour lamps	For mercury-vapour lamps
<p>АП-starting-regulating device                      EL-light lamp                      ИЗУ-pulse ignition set                      БЗУ-ignition set unit</p>	<p>АП-starting-regulating device                      EL-light lamp</p>

## OVERALL, MOUNTING DIMENSIONS

FIG. 1

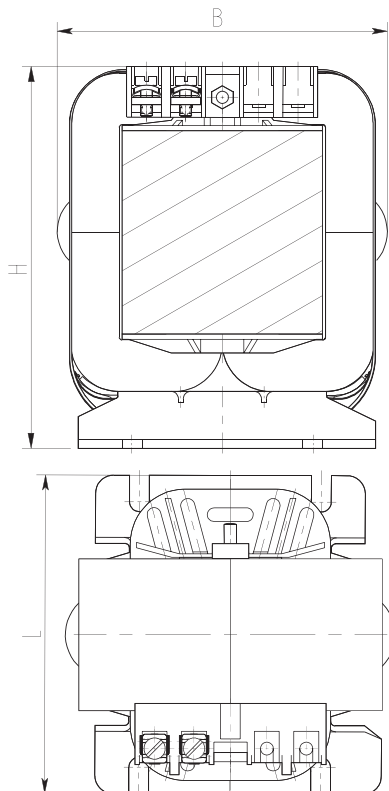
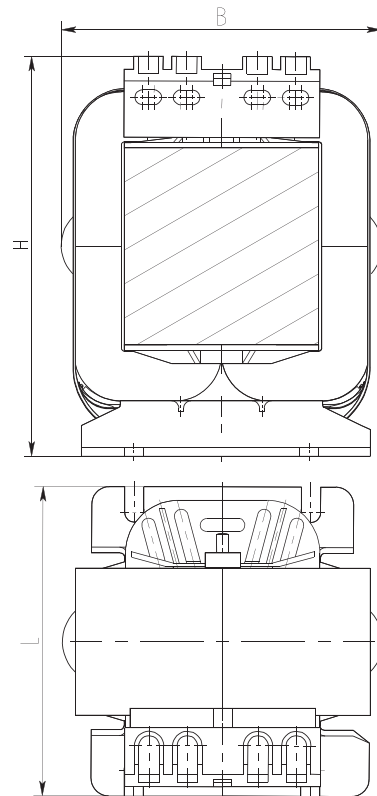


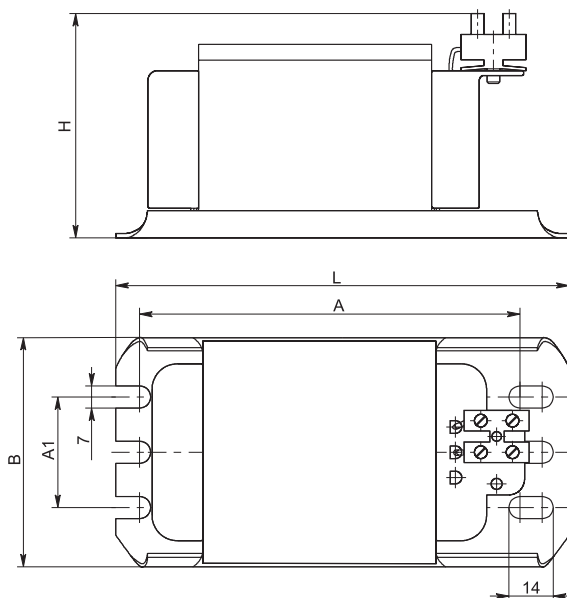
FIG. 2



Apparatus type	B	L	H	A	A <sub>1</sub>	Mass,
	mm					kg
1И250ДHaT50H-120	120	110	135	60	90	4.1
1И400ДPЛ50H-120			145			5.9
1И400ДHaT50H-120	150					
1И70ДHaT50H-120	100	90	95	52	73	1.95
1И100ДHaT50H-120						
1И125ДPЛ50H-120						
1И150ДHaT50H-120	120	95	112	60	78	3.0
1И250ДPЛ50H-120						
1И700ДPЛ50H-120	180	110	175	105	85	7.8
1И150ДHaT60H-120	73	145	71	120	35	2.4
1И250ДHaT60H-120	85		83			3.5
1И250ДPЛ60H-120	73	160	71	135		3.1

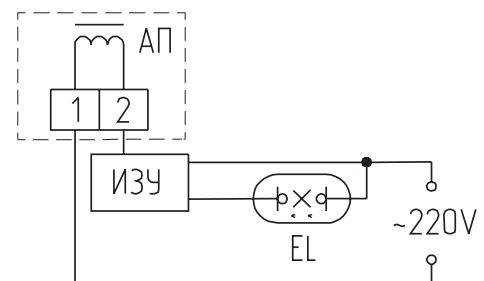
## 60 SERIES DEVICES WITH A LAMINATED CORE

### OVERALL, MOUNTING DIMENSIONS

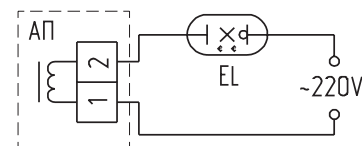


### Devices connection diagrams

a) for sodium-vapour lamps



б) for mercury-vapour lamps



АП - starting-regulating device

EL - light lamp

ИЗУ - pulse ignition set